



5 Megapixel Zoom Lens
High Resolution

High End Surveillance
1" Format Zoom Lens

*Crystal
Clear
Optics*



NEW

LMZ16160AMPDC-IR

1" 16-160mm / F1.9 5MP IR

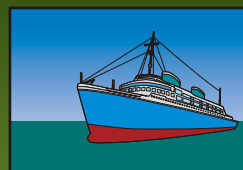


IR-Corrected Zoom 5MP **16-160_{mm}**

At over 5 megapixels with a 1" format, the LMZ16160AMPDC-IR lens is designed to create crisp and bright images. In addition, Kowa's unique and precise inner focusing system reduces friction during focusing movement and produces a more stable image. This lens is ideal for airport, port, station, ITS, and other high end surveillance applications.

Top Features :

- ◆ High Resolution of Over 5 Megapixels
- ◆ Fast F-stop of F1.9
- ◆ Incorporates XD (eXtra low Dispersion) Glass
- ◆ Wide-Band Lens Coating Increases Light Transmission
- ◆ Precise Inner Focusing System



10x



Tele 5 Megapixel Zoom

(+86)13006699017

WWW.KOWA.HK

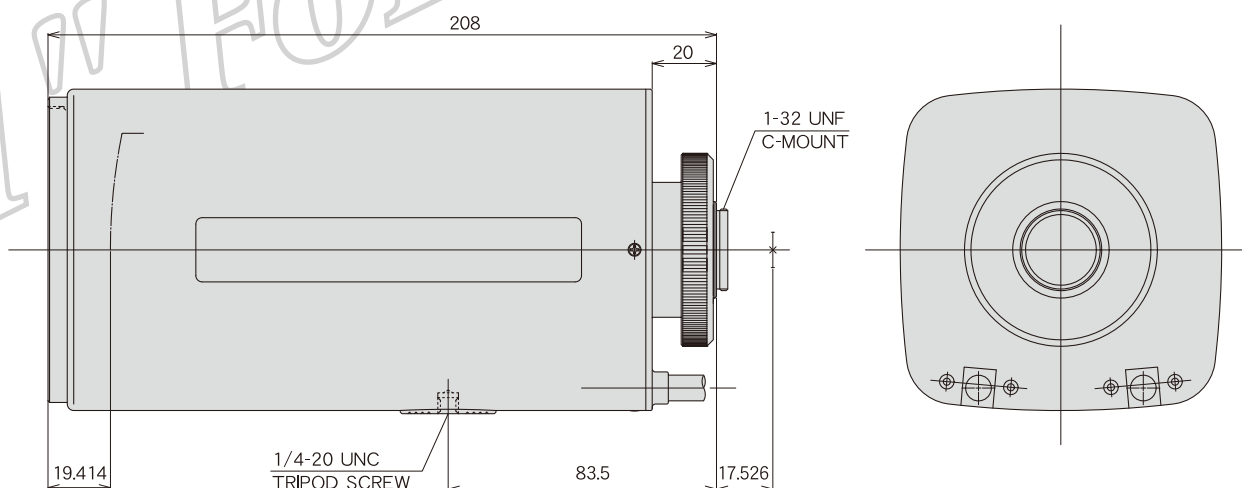
5 Megapixel IR-Corrected Zoom

LMZ16160AMPDC-IR

1" 16-160mm / F1.9 5MP IR

LMZ16160M3P-IR

1" 16-160mm / F1.9 5MP IR



SPECIFICATION

	LMZ16160AMPDC-IR	LMZ16160M3P-IR
1. FORMAT	1"	1"
2. FOCAL LENGTH	16 – 160mm	16 – 160mm
3. IRIS RANGE	F1.9 – F22	F1.9 – F22
4. IRIS TYPE	DC	MOTOR
5. IMAGE SIZE	φ 16mm (12.8mm x 9.6mm)	φ 16mm (12.8mm x 9.6mm)
6. BACK FOCAL LENGTH	35.1mm in air	35.1mm in air
7. FLANGE FOCAL LENGTH	17.526mm in air	17.526mm in air
8. MINIMUM FOCUS DISTANCE	1.7m	1.7m
9. ANGLE OF VIEW (2/3")	DIA. (W) 52.4° (T) 5.6°	(W) 52.4° (T) 5.6°
	HOR. (W) 42.7° (T) 4.6°	(W) 42.7° (T) 4.6°
	VER. (W) 32.5° (T) 3.5°	(W) 32.5° (T) 3.5°
10. CLEAR APERTURE	FRONT φ 71mm	φ 71mm
	REAR φ 19.7mm	φ 19.7mm
11. MOUNT	C – MOUNT	C – MOUNT
12. FILTER SCREW SIZE	M89 x1.0	M89 x1.0
13. TV DISTORTION	(W) -1.4% (T) 2.8%	(W) -1.4% (T) 2.8%
14. WEIGHT	1350g	1350g

*Specifications are subject to change without notice.